

JZFR22

: V1. 2
: 2019-12



1.

JZFR22

ASK/OOK

"

"

JZFR22 SOP8

2. 0~5.0V

3. 5~4.0mA

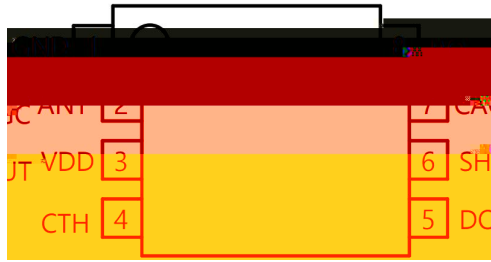
3ms

-113dBm

ИВ/600



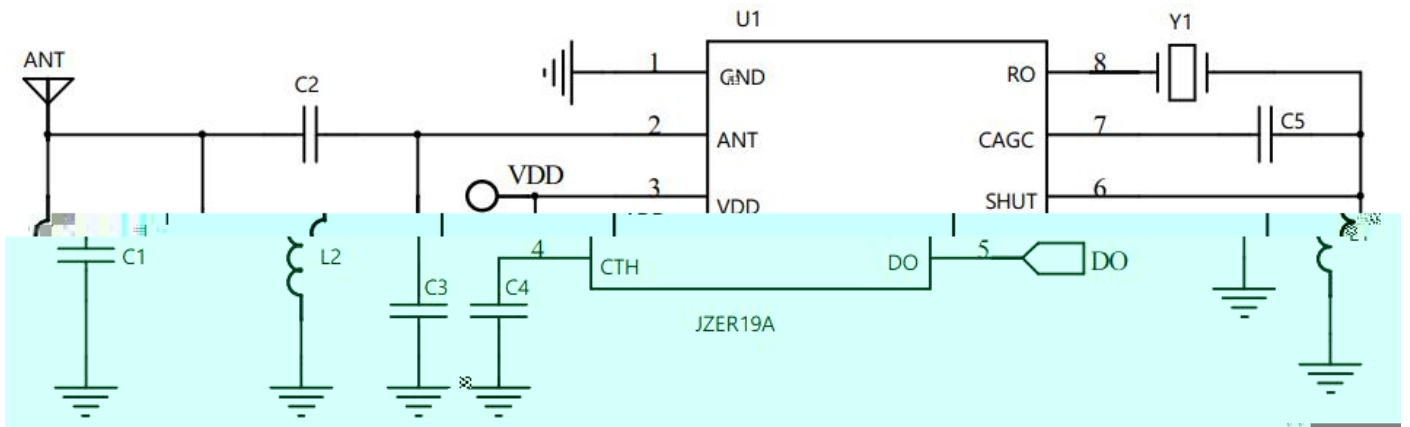
4.



1 JZFR22

1	GND	
2	ANT	RF
3		

5.



1	7		
2	5V	RF	47
3	SHUTDOWN	DO	





6.4

FXTAL315		FRF =315 MHz	2.0	4.8970		MHz
FXTAL390	[1]	FRF =390 MHz		6.0630		MHz
FXTAL318		FRF =418 MHz		6.4983		MHz
FXTAL433.92		FRF =433.92 MHz		6.7458		MHz
	[2]			± 20		ppm
CLOAD				15		pF
Rm					60	
tXTAL	[3]			400		μs
:						
		REFOSC				