

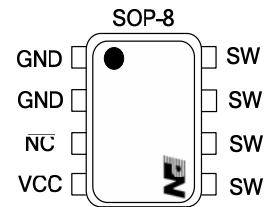
## MOS

PN8308M	N	MOSFET	AC/DC
PN8308M	MOSFET		6
PN8308M			

20m 80V Trench MOSFET  
CCM DCM QR

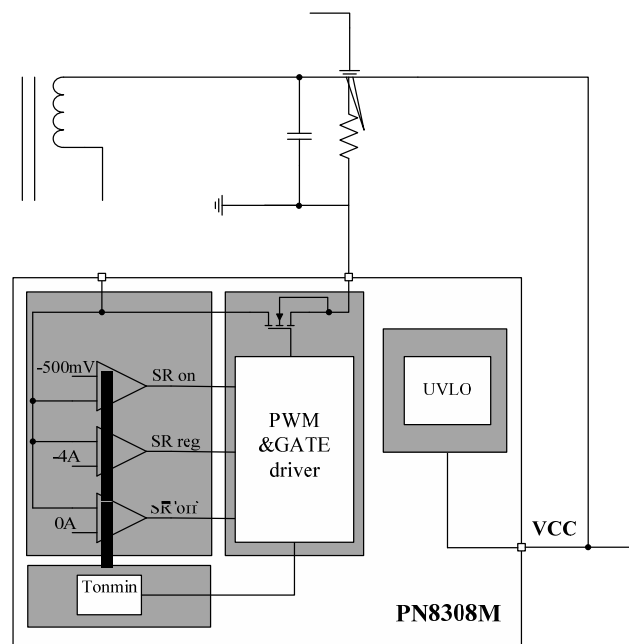
9V/12V

/



		90~265V <sub>AC</sub>
<b>PN8308MSEC-R1</b>	<b>SOP-8</b>	<b>30W(12V2.5A)</b>

45



GND	1,2	
NC	3	
VCC	4	
SW	5,6,7,8	MOSFET DRAIN

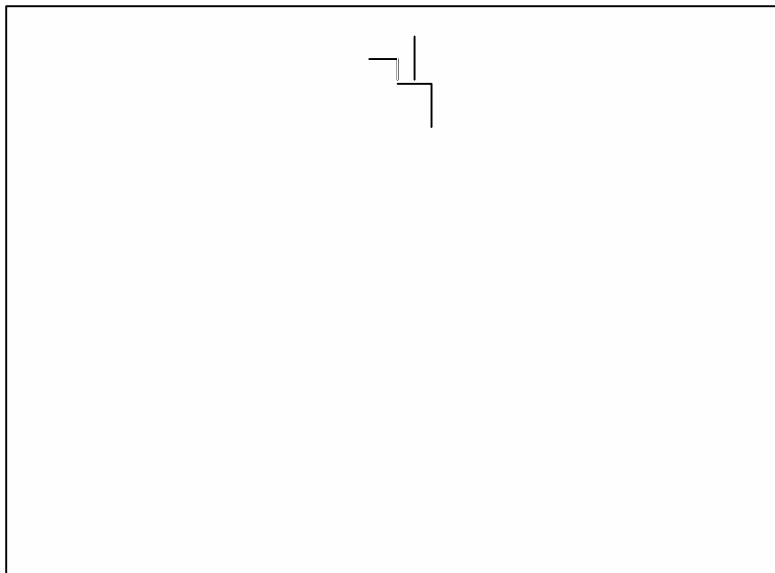
		(1)
		90-265V <sub>AC</sub>
<b>PN8308M</b>	<b>SOP-8</b>	<b>30W(12V2.5A)</b>

1.

45

PN8308M

2.5A.

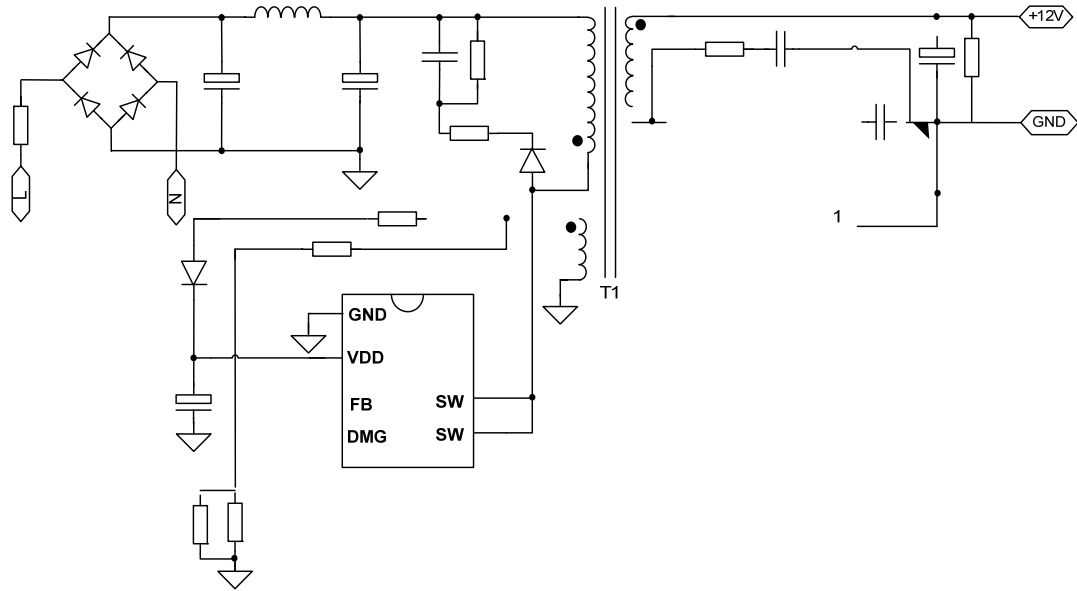




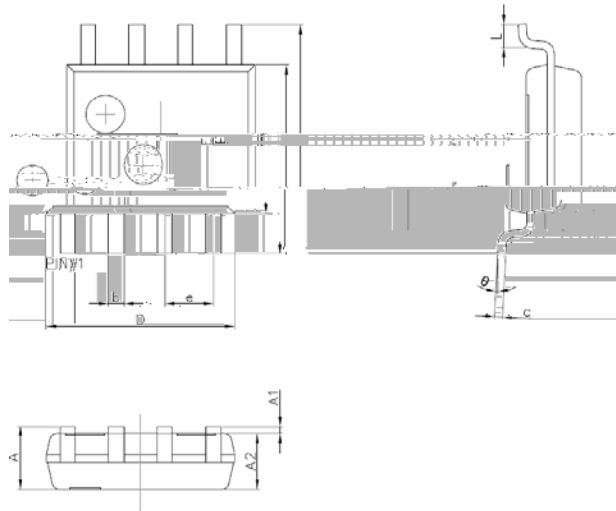
PN8308M

Chipown





SOP-8



	(mm)	(mm)
A	1.35	1.75
A1	0.050	0.250
A2	1.350	1.550
b	0.306	0.510
c	0.17	0.25
D	4.70	5.10
E	5.80	6.20
E1	3.80	4.00
e	1.270 BSC	
L	0.400	1.270
	0°	8°

PN8308M YWWXXXXX	SOP-8
---------------------	-------

Y                  WW                  XXXXX

- :
1.                                  ;
  - 2.



